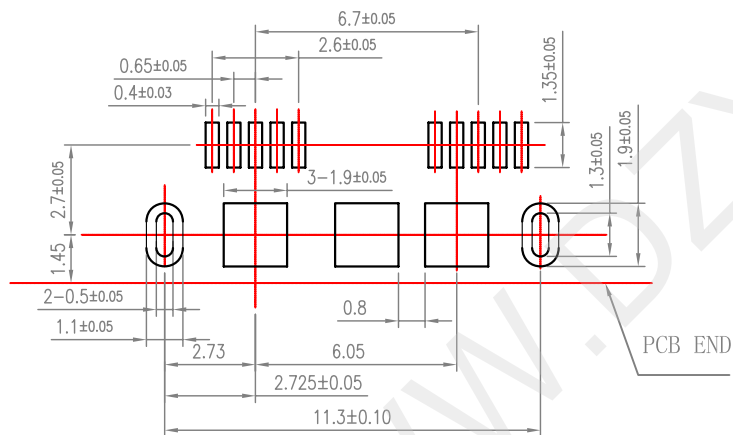
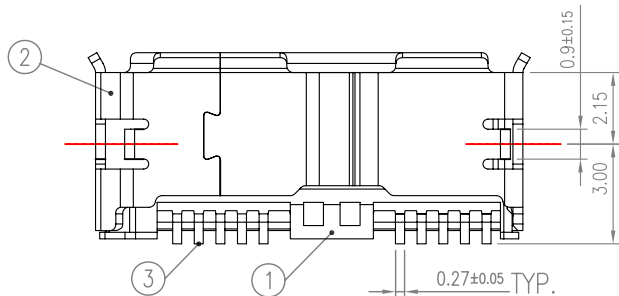


A-A



RECOMMENDED PCB LAYOUT

NOTES:

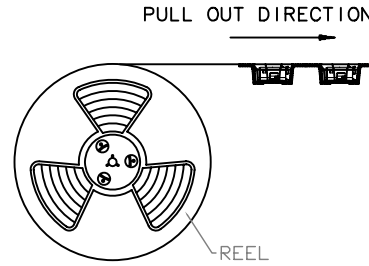
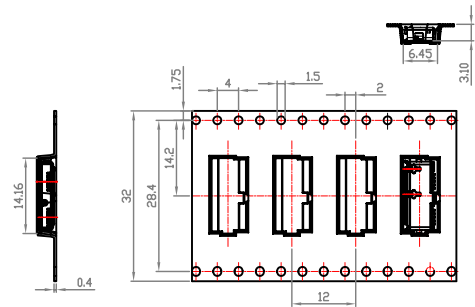
1. INSULATOR:LCP . COLOR-BLACK
2. USB CONTACT: BRASS,0.15mm THICKNESS, GOLD PLATED ON CONTACT AREA, GOLD FLASH OR 50 U" TIN PLATED ON SOLDER TAIL, 80 U" MIN. NICKEL UNDER PLATED OVERALL.
3. SHELL: STAINLESS STEEL ,0.3 THICKNESS, 40U" NICKEL PLATED ON THE SOLDERING TAB.
4. ELECTRICAL CHARACTERISTICS:
 - 4.1 CONTACT RESISTANCE:30mΩ MAXIMUM
 - 4.2 CONTACT CURRENT RATING:1.5AMPERES
 - 4.3 DIELECTRIC WITHSTANDING VOLTAGE:100 V R.M.S.
 - 4.4 INSULATION RESISTANCE 100 MΩ MIN
 - 4.5 OPERATING TEMPERATURE:-40°C ~ 85°C
5. MECHANICAL CHARACTERISTICS:
 - 5.1 MATING FORCE:35N MAX
 - 5.2 UNMATING FORCE:10N MIN(INITIAL) 8N MIN(10000 CYCLES AFTER)
 - 5.3 DURABILITY: 100,00 CYCLES MIN
6. PRODUCT NO. DESCRIPTION:

Pin Assignments			
Shell	Shield	Pin No.	Signal Name
10	MicB_SSRX+	3	D+
9	MicB_SSRX-	2	D-
8	GND_DRAIN	1	VBUS
7	MicB_SSTX+		
6	MicB_SSTX-		
5	GND		
4	ID		



深圳市华宇创精密电子有限公司

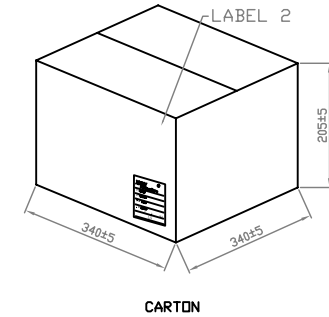
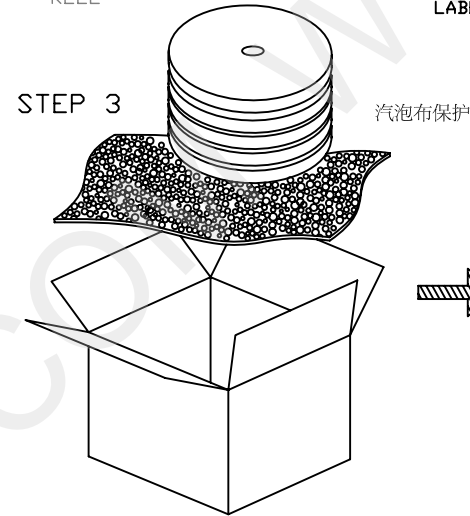
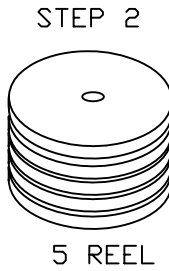
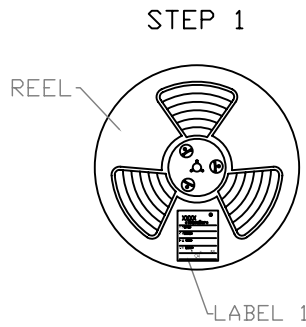
TOLERANCE: X.X ±0.30 X.XX ±0.25 X.XXX ±0.15 X' ±2' X.X' ±0.5'	DRAWN BY : 吴迪	DATE : 2013-12-13	PART NAME: MICRO USB 3.0 插板11.3
	CHECKED BY: 马跃	DATE : 2013-12-13	PART NO. HYC02-USB10-113
	APPROVED BY: 邱国夷	DATE : 2013-12-13	DRAW NO.: HYC-USB13121304
SCALE:1:1 SIZE: A4			SHEET NO. 1 OF 1



P/N :	XXXX
QTY :	1500
P/O :	XXXX XXXX
DATE :	MM/DD/YYYY
G.W :	xxx KG
RoHS	
XXXX Corporation	

LABEL 1 = Q'TY : 1500
LABEL 2 = Q'TY : 7500

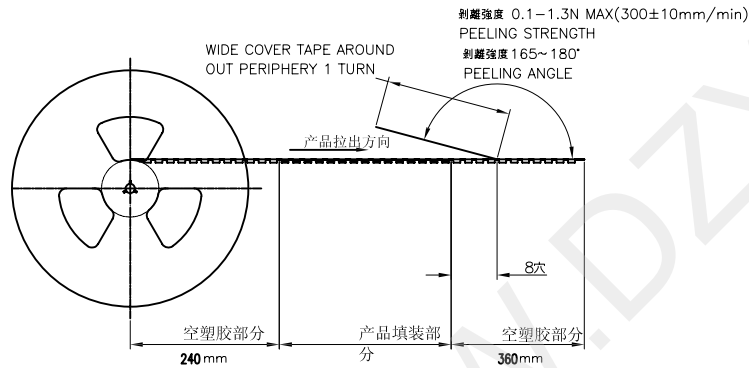
LABEL1 & LABEL2



STEP 4

备注:

1. 材料: P.S, 颜色: 透明.
2. 符合EIA-481-3 Standards.
3. 材料厚度 $t=0.4\pm 0.05$ mm.
4. 如图所示, 冷封带与承载带间的
剥離強度: 0.1~1.3N.(300mm/min)
剥離角度: $165^{\circ}\sim 180^{\circ}$.



PART NO.	PCS./REE	REEL/CARTCON
DIP 外壳	1200PCS.	1200X5=6000 PCS.
SMT 外壳	1500PCS.	1500X5=7500 PCS.



深圳市华宇创精密电子有限公司

TOLERANCE: X.X ±0.30 X.XX ±0.25 X.XXX ±0.15 X.' ±2' X.X' ±0.5'	DRAWN BY : 吴迪	DATE : 2012-02-23	PART NAME: MICRO USB 3.0包装图	
	CHECKED BY: 马跃	DATE : 2012-02-23	PART NO.	
UNIT: mm [inch] SCALE:1:1 SIZE: A4	APPROVED BY: 邱国夷	DATE : 2012-02-23	MOLD NO.	
			DRAW NO:	
			SHEET NO.	1 OF 1